

Data sheet

SP051xxVGNN ASP051

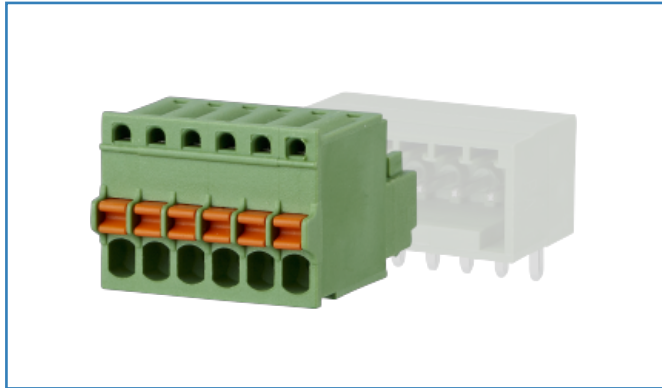
P/N
ASP051xx

xx=number of poles

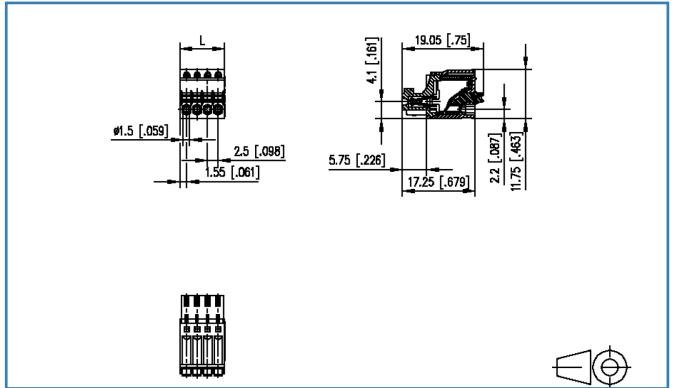
2019/10/30

Version: M

Illustrations



Dimensional drawing



See enlarged drawings at the end of document

Product specification

- spring clamp terminal block, pluggable
- centerline 2.50 mm, direction of connection vertical 0°
- color green
- push-button, wire entry uncodeable side parallel to plug direction



Technical Data



General Data

min. number of poles	2		
max. number of poles	12		
Insulating material class	CTI 600		
clearance/creepage dist.	1.7 mm		
protection category	IP20		
Min. insul. strip length	8 mm		
Rated voltage		160 V	160 V
Rated test voltage		1.5 kV	1.5 kV

Connection Data

rat.wiring solid AWGmax	0.08 mm ² - 0.5 mm ² / AWG 28 - AWG 20
rat.wiring strand.AWGmax	0.08 mm ² - 0.5 mm ² / AWG 28 - AWG 20

Approvals

 V / A / AWG	150 / 5 / 28 - 20
approval UL - File No.	E121004
 0.5 mm ²	80 V / 6 A

Material

insulating material	PA66
flammability class	V0
spring material	Spring steel
contact material	CuSn
contact surface	Sn
Glow-Wire Flammability GWFI	960 °C acc. to IEC 60695-2-12
Glow-Wire Flammability GWIT	775 °C acc. to IEC 60695-2-13

Climatic Data

upper limit temperature	105 °C
lower limit temperature	-40 °C

General

Tolerance	ISO 2768 -mH
-----------	--------------

Counterpart

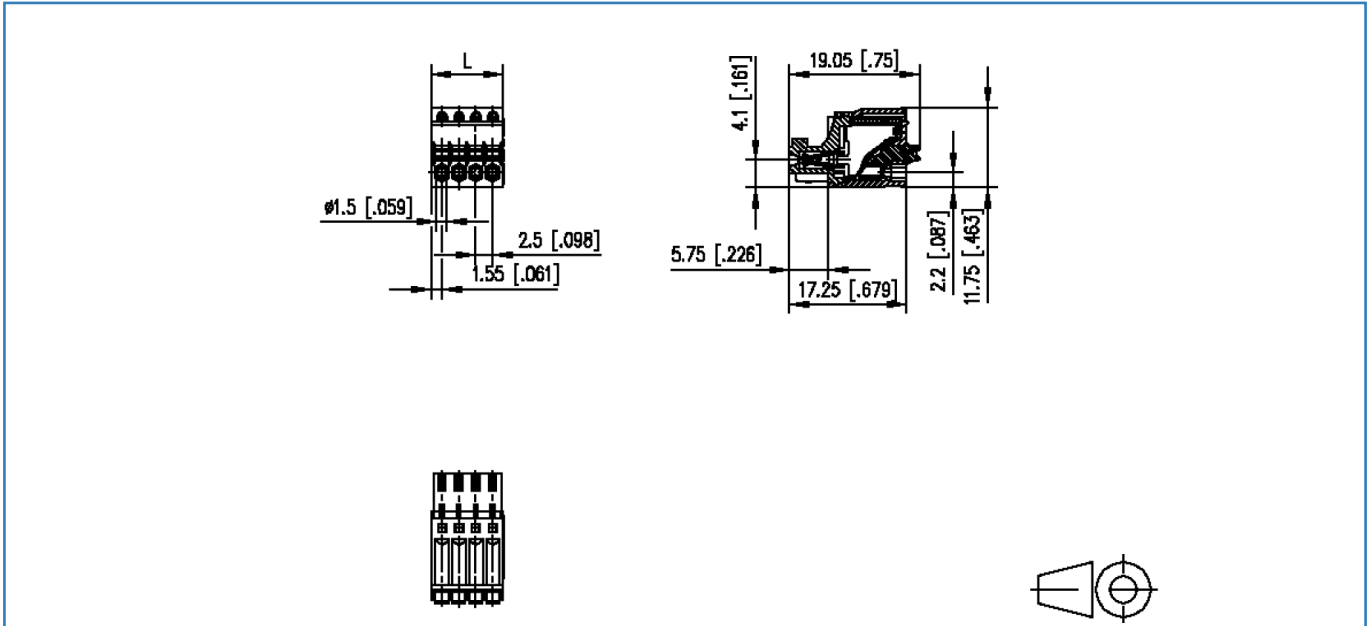
P/N	Designation
313541	PT091xxHBEC Typ 354
313731	PT091xxVGBN Typ 373
313741	PT091xxHGBN Typ 374

© 2019 METZ CONNECT - Technische Änderungen vorbehalten! Subject to modifications! Sous réserve de modifications techniques!



Illustrations

Dimensional drawing



$L = (\text{pole size} - 1) \times \text{centerline} + 3.1 \text{ mm} [0.122]$

© 2019 METZ CONNECT - Technische Änderungen vorbehalten! Subject to modifications! Sous réserve de modifications techniques!

